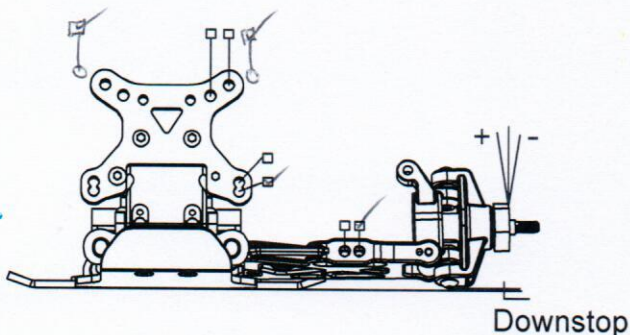


Driver ANDY JONES Date SEPTEMBER 2013 Air temp WARM - 14.000C Humidity \_\_\_\_\_

Track GUESMERE PORT Track temp \_\_\_\_\_ Track Condition ALL CARPET, GRIPPY

## FRONT




**Camber**  
 L 2  
 R 2

**Front Tire**  
 Type SCH  
YELLOW PINS  
 Hardness  
YELLOW

**Gear Diff**  
 Oil  
 \_\_\_\_\_  
 \* just grease

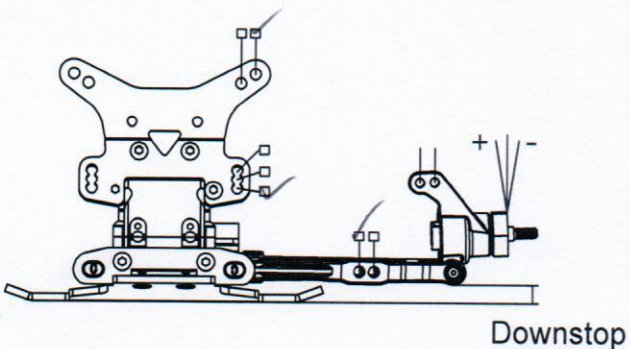
Ride height  
17 mm

**Oil Shock**



Oil  
 Front LOSI 30  
 Rear LOSI 27.5  
 Oil Shock length  
 Front Stock  
 Rear Stock  
 Piston  
 Front KIT 3  
 Rear 4 1.3mm  
 Spring  
 Front KIT  
 Rear KIT

## REAR



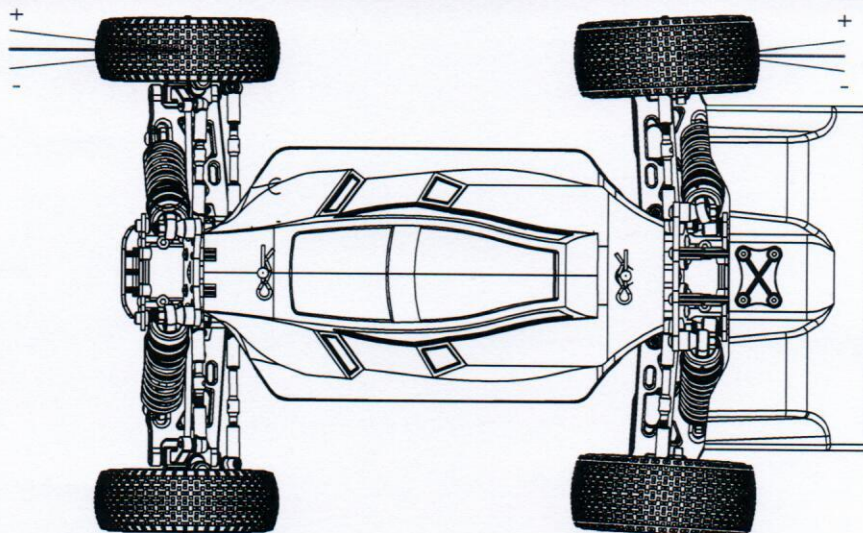
**Camber**  
 L 2  
 R 2

**Rear Tire**  
 Type  
SCH PINS  
 Hardness  
YELLOW

**Gear Diff**  
 Oil  
 \_\_\_\_\_  
 \* just grease

Ride height  
17 mm

Toe Angle(Front)  
+1°



Toe Angle(Rear)  
-2°

Motor: 4500KV Spur gear: 60 Pinion gear: 12 Battery: \_\_\_\_\_ Body: PHAT

Servo: SavoX 135T Wing: SCH 110mm CUT DOWN Front Tire Insert: SCH HARD Rear Tire Insert: SCH HARD

Front Anti Roll Bar: \_\_\_\_\_ Rear Anti Roll Bar: \_\_\_\_\_

Memo: \_\_\_\_\_