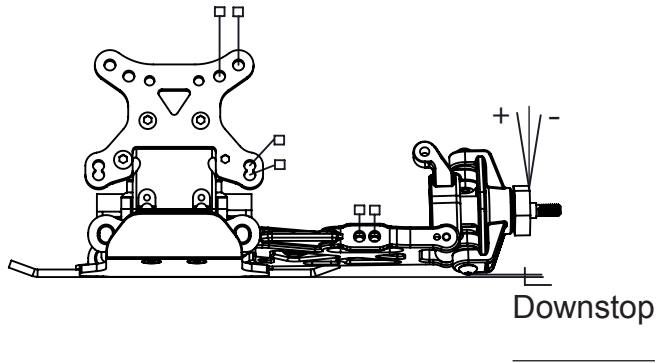


Driver \_\_\_\_\_ Date \_\_\_\_\_ Air temp \_\_\_\_\_ Humidity \_\_\_\_\_

Track \_\_\_\_\_ Track temp \_\_\_\_\_ Track Condition \_\_\_\_\_

## FRONT



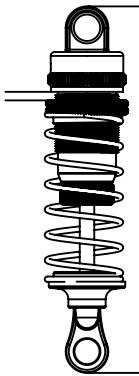
**Camber**  
L \_\_\_\_\_  
R \_\_\_\_\_

**Front Tire**  
Type \_\_\_\_\_  
Hardness \_\_\_\_\_

**Gear Diff**  
Oil \_\_\_\_\_

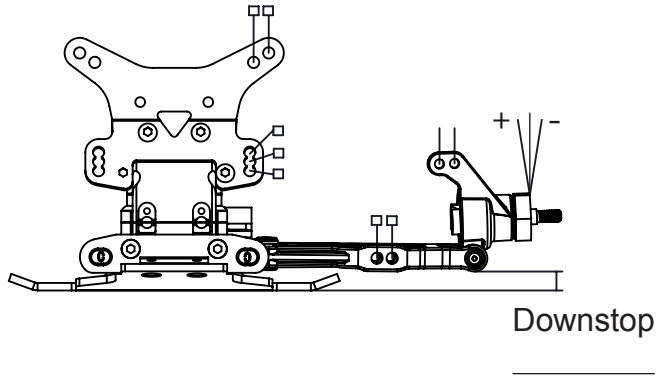
Ride height  
\_\_\_\_\_ mm

**Oil Shock**



Oil  
Front \_\_\_\_\_  
Rear \_\_\_\_\_  
Oil Shock length  
Front \_\_\_\_\_  
Rear \_\_\_\_\_  
Piston  
Front \_\_\_\_\_  
Rear \_\_\_\_\_  
Spring  
Front \_\_\_\_\_  
Rear \_\_\_\_\_

## REAR



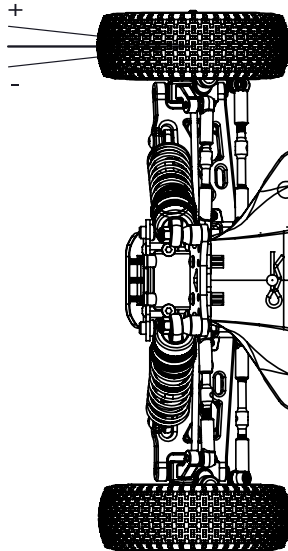
**Camber**  
L \_\_\_\_\_  
R \_\_\_\_\_

**Rear Tire**  
Type \_\_\_\_\_  
Hardness \_\_\_\_\_

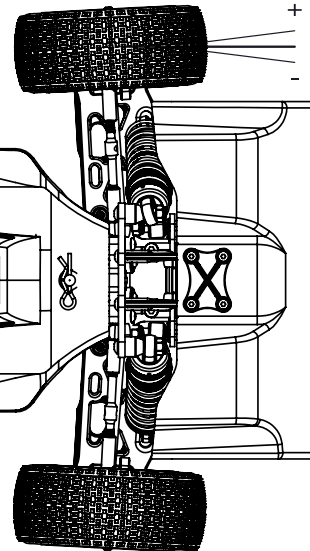
**Gear Diff**  
Oil \_\_\_\_\_

Ride height  
\_\_\_\_\_ mm

Toe Angle(Front)



Toe Angle(Rear)



Motor: \_\_\_\_\_ Spur gear: \_\_\_\_\_ Pinion gear: \_\_\_\_\_ Battery: \_\_\_\_\_ Body: \_\_\_\_\_

Servo: \_\_\_\_\_ Wing: \_\_\_\_\_ Front Tire Insert: \_\_\_\_\_ Rear Tire Insert: \_\_\_\_\_

Front Anti Roll Bar: \_\_\_\_\_ Rear Anti Roll Bar: \_\_\_\_\_

Memo: \_\_\_\_\_