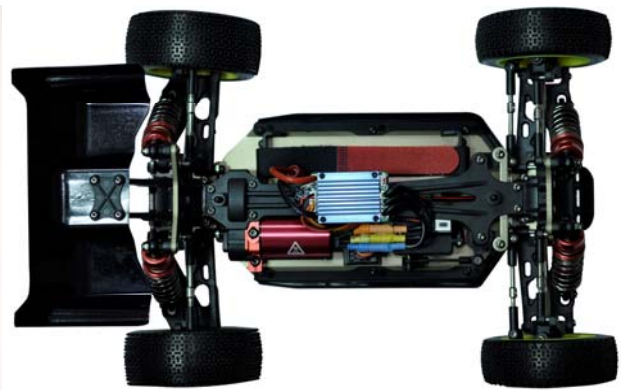


EMB-1H

1/14th Brushless Off Road Buggy RTR

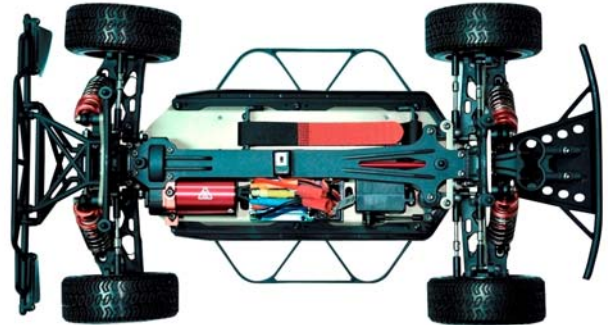


<p>Features:</p>	<p>EMB-1 is LCRacing original and first car, powerful buggy with good speed for small size competition, with High power and efficient 4 pole 2838 brushless motor, All aluminum gear differential, 35A programmable ESC, Batan 2.4GHz Radio System, and High rate 7.2V NiMH battery on smart charger.</p> <ol style="list-style-type: none"> 1. LCRacing designed treaded tires, grip 20% more than same level. 2. LCRacing designed slipper with gear cover 3. Aluminum-threaded, oil-filled, coil-over, 6061-T6 adjustable shocks 4. 2.5mm 6061-T6 aluminum shock towers 5. Front and rear metal gear differentials, 2.0mm gear shaft, precise 6. 35A programmable ESC, Lipo(2S/3S) compatible 7. High power and efficient 4 pole 2838 brushless motor with adjustable aluminum mount 8. 4WD metal shaft drivetrain 9. Batan D115 digital mini servo with adjustable saver 10. Metal hinge-pins with rounded front bumper 11. Batan 2.4GHz radio system 12. High rate 7.2V 1100mAh NiMH battery with 3.5mm gold connectors 13. Smart and fast charger 14. 2.5mm aluminum rear and front kick-up chassis with dirt guards 15. Heavy-duty adjustable turnbuckles 16. high-performance all ball Bearings
<p>Specifications:</p>	<p>Scale: 1/14 EP Buggy Length: 300mm (11.8in) Width: 205mm (8in) Height: 110mm (4.3in) Wheelbase: 185mm (7.3in) Weight: 0.90kg (1.9lbs with battery) Wheel hexes: 12mm Motor: Micro 380, 6.5T/4500kV, 4 Pole 2838 3.175mm Shaft Brushless Motor Modified Gear ratio: 8.23</p>
<p>Package Contents:</p>	<p>100% Brand New and Assembled 1x EMB-1H 1:14 Buggy 1x 2CH 2.4Hz Transmitter 1x Battery Charger (100-240V) 1x 7.2v 1100mAh Ni-MH battery 1x Instruction Manual Required to Run: AA Batteries for Transmitter</p>

***The specifications are subject to change without notice.**

EMB-SCH

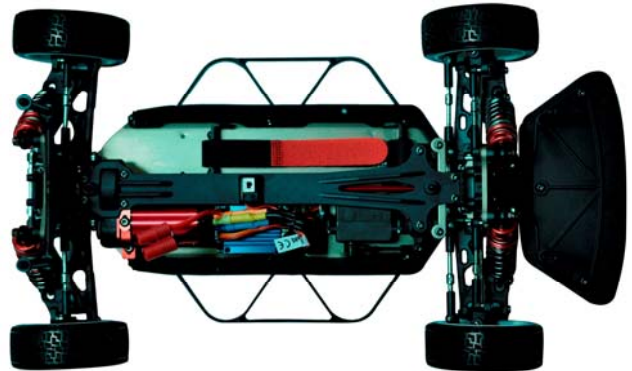
1/14th Brushless Short Course Truck RTR



<p>Features:</p>	<p>EMB-SC is for more bashing on bumper even small, with High power and efficient 4 pole 2838 brushless motor, All aluminum gear differential, 35A programmable ESC, Batan 2.4GHz Radio System, and High rate 7.2V NiMH battery on smart charger.</p> <ol style="list-style-type: none"> 1. LCRacing designed treaded tires, grip 20% more than same level. 2. LCRacing designed slipper with gear cover 3. Aluminum-threaded, oil-filled, coil-over, 6061-T6 adjustable shocks 4. 2.5mm 6061-T6 aluminum shock towers 5. Front and rear metal gear differentials, 2.0mm gear shaft, precise 6. 35A programmable ESC, Lipo(2S/3S) compatible 7. High power and efficient 4 pole 2838 brushless motor with adjustable aluminum mount 8. 4WD metal shaft drivetrain 9. Batan D115 digital mini servo with adjustable saver 10. Metal hinge-pins with rounded front bumper 11. Batan 2.4GHz radio system 12. High rate 7.2V 1100mAh NiMH battery with 3.5mm gold connectors 13. Smart and fast charger 14. 2.5mm aluminum rear and front kick-up chassis with dirt guards 15. Heavy-duty adjustable turnbuckles 16. high-performance all ball Bearings
<p>Specifications:</p>	<p>Scale: 1/14 EP Short Course Truck Length: 360mm (14.2in) Width: 210mm (8.3in) Height: 135mm (5.3in) Wheelbase: 225mm (8.9in) Weight: 1.08kg (2.38lbs with battery) Wheel hexes: 12mm Motor: Micro 380, 6.5T/4500kV, 4 Pole 2838 3.175mm Shaft Brushless Motor Modified Gear ratio: 8.23</p>
<p>Package Contents:</p>	<p>100% Brand New and Assembled 1x 1:14 EMB-SCH Truck 1x 2CH 2.4Hz Transmitter 1x Battery Charger (100-240V) 1x 7.2v 1100mAh Ni-MH battery 1x Instruction Manual Required to Run: AA Batteries for Transmitter</p>

***The specifications are subject to change without notice.**

EMB-WRCH
1/14th Brushless Rally RTR



<p>Features:</p>	<p>EMB-WRC is for fun control on four power wheel to slide, with High power and efficient 4 pole 2838 brushless motor, All aluminum gear differential, 35A programmable ESC, Batan 2.4GHz Radio System, and High rate 7.2V NiMH battery on smart charger.</p> <ol style="list-style-type: none"> 1. LCRacing designed treaded tires, grip 20% more than same level. 2. LCRacing designed slipper with gear cover 3. Aluminum-threaded, oil-filled, coil-over, 6061-T6 adjustable shocks 4. 2.5mm 6061-T6 aluminum shock towers 5. Front and rear metal gear differentials, 2.0mm gear shaft, precise 6. 35A programmable ESC, Lipo(2S/3S) compatible 7. High power and efficient 4 pole 2838 brushless motor with adjustable aluminum mount 8. 4WD metal shaft drivetrain 9. Batan D115 digital mini servo with adjustable saver 10. Metal hinge-pins with rounded front bumper 11. Batan 2.4GHz radio system 12. High rate 7.2V 1100mAh NiMH battery with 3.5mm gold connectors 13. Smart and fast charger 14. 2.5mm aluminum rear and front kick-up chassis with dirt guards 15. Heavy-duty adjustable turnbuckles 16. high-performance all ball Bearings
<p>Specifications:</p>	<p>Scale: 1/14 EP Rally Length: 360mm (14.2in) Width: 210mm (8.3in) Height: 135mm (5.3in) Wheelbase: 225mm (8.9in) Weight: 1.08kg (2.38lbs with battery) Wheel hexes: 12mm Motor: Micro 380, 6.5T/4500kV, 4 Pole 2838 3.175mm Shaft Brushless Motor Modified Gear ratio: 8.23</p>
<p>Package Contents:</p>	<p>100% Brand New and Assembled 1x 1:14 EMB-WRCH Rally 1x 2CH 2.4Hz Transmitter 1x Battery Charger (100-240V) 1x 7.2v 1100mAh Ni-MH battery 1x Instruction Manual Required to Run: AA Batteries for Transmitter</p>

*The specifications are subject to change without notice.

EMB-MTH

1/14th Brushless Monster Truck RTR



<p>Features:</p>	<p>EMB-MT is with big tires to cover all terrain and strong bumper to bash, with High power and efficient 4 pole 2838 brushless motor, All aluminum gear differential, 35A programmable ESC, Batan 2.4GHz Radio System, and High rate 7.2V NiMH battery on smart charger.</p> <ol style="list-style-type: none"> 1. LCRacing designed treaded tires, grip 20% more than same level. 2. LCRacing designed slipper with gear cover 3. Aluminum-threaded, oil-filled, coil-over, 6061-T6 adjustable shocks 4. 2.5mm 6061-T6 aluminum shock towers 5. Front and rear metal gear differentials, 2.0mm gear shaft, precise 6. 35A programmable ESC, Lipo(2S/3S) compatible 7. High power and efficient 4 pole 2838 brushless motor with adjustable aluminum mount 8. 4WD metal shaft drivetrain 9. Batan D115 digital mini servo with adjustable saver 10. Metal hinge-pins with rounded front bumper 11. Batan 2.4GHz radio system 12. High rate 7.2V 1100mAh NiMH battery with 3.5mm gold connectors 13. Smart and fast charger 14. 2.5mm aluminum rear and front kick-up chassis with dirt guards 15. Heavy-duty adjustable turnbuckles 16. high-performance all ball Bearings
<p>Specifications:</p>	<p>Scale: 1/14 EP Monster Truck Length: 280mm (11in) Width: 235mm (9.25in) Height: 125mm (5in) Wheelbase: 185mm (7.3in) Weight: 0.90kg (1.9lbs with battery) Wheel hexes: 12mm Motor: Micro 380, 6.5T/4500kV, 4 Pole 2838 3.175mm Shaft Brushless Motor Modified Gear ratio: 8.23</p>
<p>Package Contents:</p>	<p>100% Brand New and Assembled 1x 1:14 EMB-MTH Monster Truck 1x 2CH 2.4Hz Transmitter 1x Battery Charger (100-240V) 1x 7.2v 1100mAh Ni-MH battery 1x Instruction Manual Required to Run: AA Batteries for Transmitter</p>

***The specifications are subject to change without notice.**

EMB-DTH

1/14th Brushless Desert Truck RTR



<p>Features:</p>	<p>EMB-DT is for bashing on dirt or concrete, roll cage for nice looks and damage control during big crashes, with High power and efficient 4 pole 2838 brushless motor, All aluminum gear differential, 35A programmable ESC, Batan 2.4GHz Radio System, and High rate 7.2V NiMH battery on smart charger.</p> <ol style="list-style-type: none"> 1. LCRacing designed treaded tires, grip 20% more than same level. 2. LCRacing designed slipper with gear cover 3. Aluminum-threaded, oil-filled, coil-over, 6061-T6 adjustable shocks 4. 2.5mm 6061-T6 aluminum shock towers 5. Front and rear metal gear differentials, 2.0mm gear shaft, precise 6. 35A programmable ESC, Lipo(2S/3S) compatible 7. High power and efficient 4 pole 2838 brushless motor with adjustable aluminum mount 8. 4WD metal shaft drivetrain 9. Batan D115 digital mini servo with adjustable saver 10. Metal hinge-pins with rounded front bumper 11. Batan 2.4GHz radio system 12. High rate 7.2V 1100mAh NiMH battery with 3.5mm gold connectors 13. Smart and fast charger 14. 2.5mm aluminum rear and front kick-up chassis with dirt guards 15. Heavy-duty adjustable turnbuckles 16. high-performance all ball Bearings
<p>Specifications:</p>	<p>Scale: 1/14 EP Desert Truck Length: 340mm (13.4in) Width: 205mm (8in) Height: 120mm (4.7in) Wheelbase: 235mm (9.3in) Weight: 0.90kg (1.9lbs with battery) Wheel hexes: 12mm Motor: Micro 380, 6.5T/4500kV, 4 Pole 2838 3.175mm Shaft Brushless Motor Modified Gear ratio: 8.23</p>
<p>Package Contents:</p>	<p>100% Brand New and Assembled 1x 1:14 EMB-DTH Desert Truck 1x 2CH 2.4Hz Transmitter 1x Battery Charger (100-240V) 1x 7.2v 1100mAh Ni-MH battery 1x Instruction Manual Required to Run: AA Batteries for Transmitter</p>

***The specifications are subject to change without notice.**

EMB-TGH

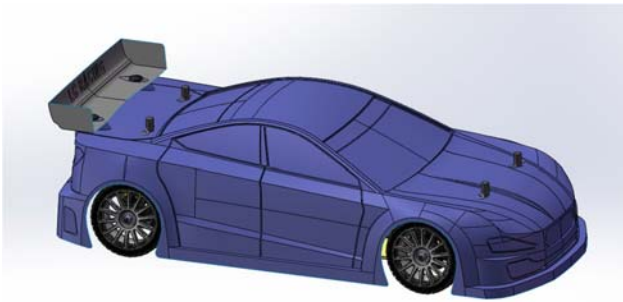
1/14th Brushless Truggy RTR



<p>Features:</p>	<p>EMB-TG is another racing cars of LC Racing with 1/10 buggy rear tires, bigger motor, new and solid wing, contine to meet LC Racing fans expectations</p> <ol style="list-style-type: none"> 1. LCRacing designed treaded 1/10 scale rear tires, grip 20% more than same level. 2. LCRacing designed slipper with gear cover 3. Aluminum-threaded, oil-filled, coil-over, 6061-T6 adjustable shocks 4. 2.5mm 6061-T6 aluminum shock towers 5. Front and rear metal gear differentials, 2.0mm gear shaft, precise 6. 35A programmable ESC, Lipo(2S/3S) compatible 7. High power and efficient 4 pole 2850 brushless motor with adjustable aluminum mount 8. 4WD metal shaft drivetrain 9. Batan D115 digital mini servo with adjustable saver 10. Metal hinge-pins with rounded front bumper 11. Batan 2.4GHz radio system 12. High rate 7.2V 1100mAh NiMH battery with 3.5mm gold connectors 13. Smart and fast charger 14. 2.5mm aluminum rear and front kick-up chassis with dirt guards 15. Heavy-duty adjustable turnbuckles 16. high-performance all ball Bearings
<p>Specifications:</p>	<p>Scale: 1/14 EP Truggy Length: 345mm (13.6in) Width: 235mm (9.3in) Height: 129mm (5.1in) Wheelbase: 225mm (8.9in) Weight: 1.10kg (2.4lbs with battery) Wheel hexes: 12mm Motor: 6.5T/4500kV, 4 Pole 2850 3.175mm Shaft Brushless Motor Modified Gear ratio: 8.23</p>
<p>Package Contents:</p>	<p>100% Brand New and Assembled 1x 1:14 EMB-TGH Truggy 1x 2CH 2.4Hz Transmitter 1x Battery Charger (100-240V) 1x 7.2v 1100mAh Ni-MH battery 1x Instruction Manual Required to Run: AA Batteries for Transmitter</p>

***The specifications are subject to change without notice.**

EMB-TCH(coming new car)
1/10th Brushless Touring Car RTR



Features:	<p>EMB-TC 1/10 Touring car, is for entry level or beginners of hobby car players, with 190mm car length compatible with 190/195mm car body of 1/10 RC Cars, Hobbywing 60A ESC, 3800mAh 139mm hardcase Lipo battery. LC Racing keeps the pace to make more affordable quality cars for entry level fans!</p> <ol style="list-style-type: none"> 1. LC Racing designed treaded 1/14 rally tires, more terrain to run. 2. LC Racing designed slipper with gear cover 3. Aluminium-threaded, oil-filled, coil-over, 6061-T6 adjustable shocks 4. 2.5mm 6061-T6 aluminium shock towers 5. Front and rear metal gear differentials, 2.0mm gear shaft, precise 6. 60A programmable ESC, Lipo(2S/3S) compatible 7. High power and efficient 4 pole 2850 brushless motor with adjustable aluminium mount 8. 4WD metal shaft drivetrain 9. Batan D115 digital mini servo with adjustable saver 10. Metal hinge-pins with rounded front bumper 11. 2.4GHz radio system 12. 139mm hardcase battery of 3800mAh 13. 2.5mm aluminium rear and front kick-up chassis 14. Heavy-duty adjustable turnbuckles 15. high-performance all ball Bearings
Specifications:	<p>Scale: 1/10 EP Touring Car Length: 430mm (17in, with body) Width: 190mm (7.5in, with body) Height: 120mm (4.7in, with body) Wheelbase: 250mm (9.85in) Weight: 1.3kg (2.85lbs with battery) Wheel hexes: 12mm Motor: 6.5T/4500kV, 4 Pole 2850 3.175mm Shaft Brushless Motor Modified Gear ratio: 8.23</p>
Package Contents:	<p>100% Brand New and Assembled 1x 1:10 EP Touring Car 1x 2CH 2.4Hz Transmitter 1x 3800mAh 139mm Lipo Hardcase Battery 1x Instruction Manual Required to Run: AA Batteries for Transmitter</p>

***The specifications are subject to change without notice.**